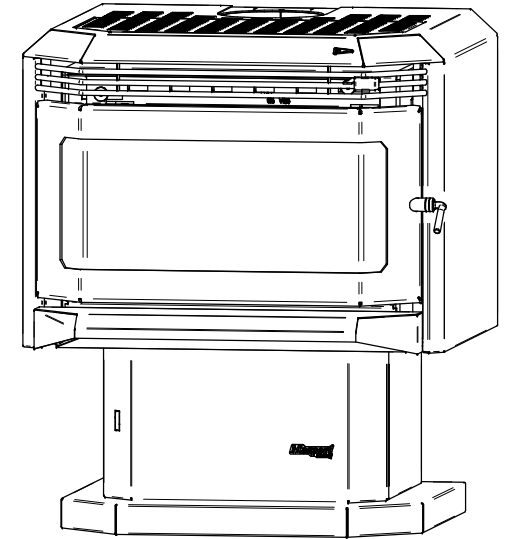
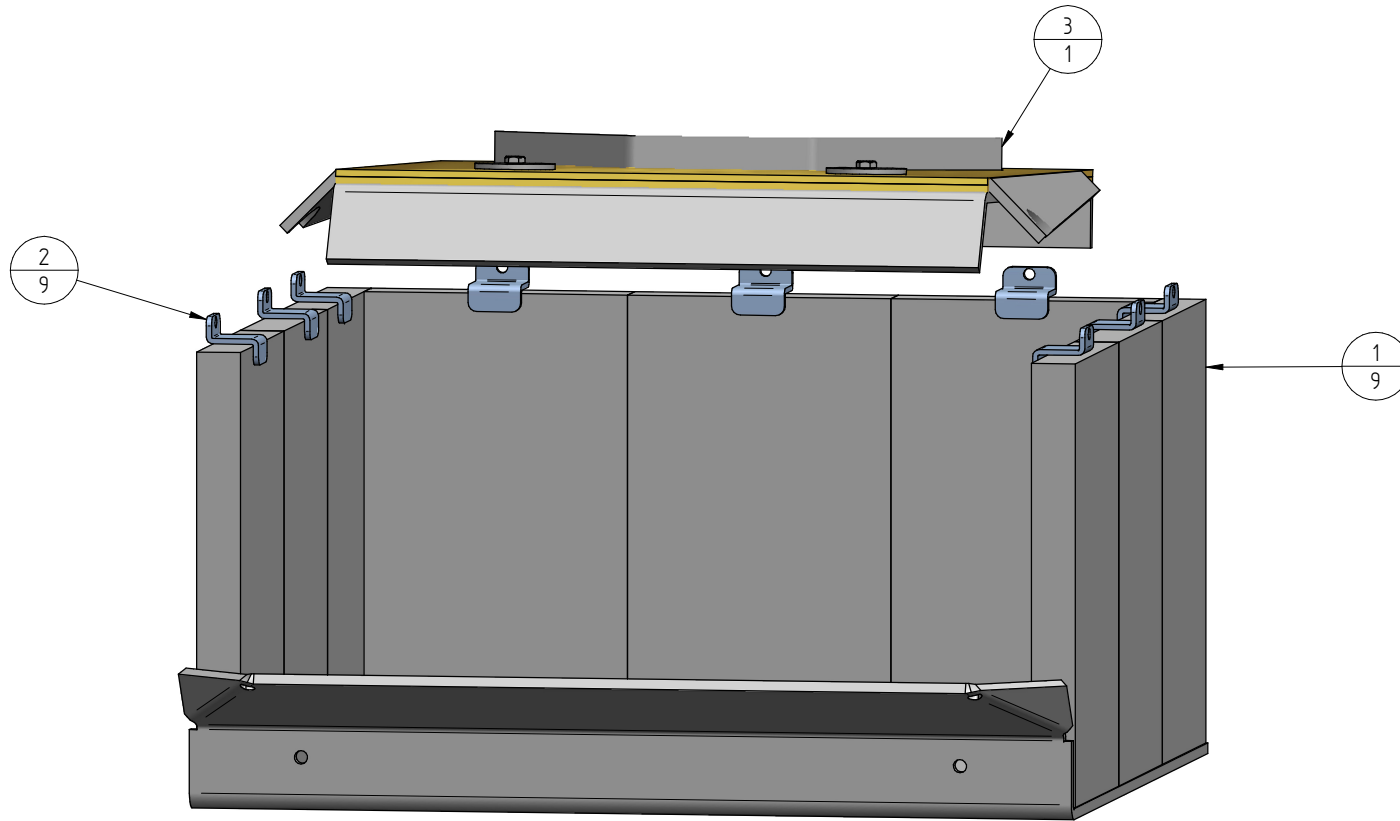


PART NUMBER : ATNCHWBKBRICK			REVISION LEVEL :
Amendment	Date	By	TOLERANCES : Decimal Places: 0 ± 0.5 0.0 ± 0.2 Angles Degrees: 0 ± 5°

ATLANTA CLEAN AIR HW BRICK LAYOUT			
Item	Part ID	Title	Quantity
1	MIC00354	MIC BRICK	9
2	HBA00118	HBA BRICK RETAINER	9
3	992084	BAFFLE ASSEMBLY COMPLETE ATNC CA - HW	1

BRICK INSTALLATION:
(1) LOOSEN BRICK RETAINER SCREWS WITH 10MM SPANNER
(2) POSITION BRICKS AS PER BRICK LAYOUT
(3) TIGHTEN BRICK RETAINER SCREWS



BRICK & BAFFLE LAYOUT FOR ATLANTA CLEAN AIR HARDWOOD MODELS